



<http://www.cubesatkit.com/>

CubeSat Kit™ Motherboard (MB)

Hardware Revision: E

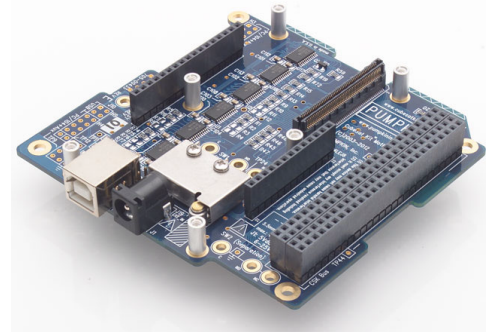
Single Board Computer Motherboard for Harsh Environments

Applications

- CubeSat nanosatellite C&DH, TT&C, mass storage and battery / power switching
- General-purpose low-power computing in a PC/104-size form factor
- Remote sensing for harsh environments

Features

- Open architecture – accepts Pluggable Processor Modules (PPMs)
- Compatible with a wide range of supply and I/O voltages
- Extremely low (<10µA) quiescent current
- Integrated peripherals:
 - I2C real-time clock
 - 3V Lithium backup battery
 - USB 2.0 device interface for pre-launch communications, battery charging and power
 - MMC/SD card socket for mass storage (32MB to 2GB and beyond)
- Support for a wide range of transceivers
- Stackable 104-pin CubeSat Kit Bus connectors includes processor's complete I/O space, user-assignable signals and more
- Extensible to multiprocessor architectures, with processor reset / NMI pin on bus
- Direct wiring for heavy-duty Remove-Before-Flight (battery) and Separation (power) switches
- Comprehensive overcurrent, overvoltage & undervoltage (reset) protection
- Independent latchup (device overcurrent) protection on critical subsystems
- Flexible dual-input-range high-power external DC power input
- Bus override for critical power and data/control paths
- Power consumption can be monitored externally
- Wiring-free module interconnect scheme
- PC/104-size footprint, with +5V and GND on PC/104 J1/J2 connectors



ORDERING INFORMATION

Pumpkin P/N 710-00484

Option Code	PPM Connector Height	CubeSat Kit Bus Connector ¹
/00 (standard)	+6mm	non-stackthrough
/10	+6mm	stackthrough

Contact factory for availability of optional configurations.
Option code /00 shown.



CAUTION

Electrostatic Sensitive Devices

Handle with Care



- 6-layer gold-plated blue-soldermask PCB with dual ground planes for enhanced signal integrity
- Compatible with Pumpkin's Salvo™ RTOS and HCC-Embedded's EFFS-THIN SD Card file FAT file system for ease of programming
- Backwards-compatible with CubeSat Kit Rev. A through Rev. C FM430, and Rev. D Motherboard

¹ Stackthrough connectors are used in CubeSat Kit configurations where the MB is not in Slot 0.

CHANGELOG

Rev.	Date	Author	Comments
A	20120327	AEK	Initial release. Based on Motherboard Rev D datasheet.
B	20120417	AEK	Corrected VREF1 & VREF2 pin numbers on H1 .

OPERATIONAL DESCRIPTION

The CubeSat Kit Motherboard (MB) is the fifth generation of Pumpkin's line of single-board computers (SBCs) designed for use in the CubeSat Kit and elsewhere.

The MB has a socket to accommodate a Pluggable Processor Module (PPM). PPMs can be sourced from Pumpkin, third parties or can be created by the end-user of a CubeSat Kit. Thus, a wide range of potential processors (e.g. MSP430, 8051, AVR®, PICmicro®, ARM®, x86, FPGA, ASIC, etc.) can be used with the MB via a suitable PPM.

The MB has a flexible power scheme that permits the use of PPMs with different power and I/O requirements. All of the MB's on-board peripheral I/O (RTC, MHX interface, USB & SD Card) is level-shifted and zero-power-isolated to interface with PPMs at any I/O voltage from +1.65V to +5.5V.

The MB provides the PPM socket with all of the CubeSat Kit Bus Connector I/O and power signals, as well as some dedicated and special-purpose MB signals.²

Special attention in the PCB design has been paid to avoid any isolated dielectric regions resulting from unconnected swatches of copper.

ABSOLUTE MAXIMUM RATINGS

Parameter	Symbol	Value	Units
Operating temperature ³	T_A	-40 to +85	°C
Voltage on +5V_USB bus		-0.3 to +6	V
Voltage on +5V_SYS bus ⁴			
Voltage on PWR_MHX bus			
Voltage on VCC_SYS bus			
Voltage on -FAULT open-collector output			
Voltage on local VCC bus		-0.3 to +5.5	V
Voltage on any I/O pin		-0.3 to (VCC + 0.3)	V
Voltage on local VCC_SD bus		-0.3 to +3.6	V
Voltage on VBACKUP bus		-0.3 to +3.6	V
Voltage at external +5V power connector J1 ⁵		-25 to +25	V
DC current through any pin of PPM Connector	I_{PIN1_MAX}	1.2	A
DC current through any pin of CubeSat Kit Bus Connector ⁶	I_{PIN2_MAX}	3	A
DC current through external +5V power connector J1 ⁷	I_{EXT_MAX}	4	A
DC current through Remove-Before-Flight or Separation Switches ⁸	I_{SW_MAX}	10	A

² The only signals from the CubeSat Kit Bus Connector that are not presented at the PPM connector are the s0-s5 signals (Remove-Before-Flight and Separation Switches) and direct MHX interface signals (e.g., -RTS_MHX, etc.).

³ Does not include any SD card fitted to the MB. Typical commercial SD card operating temperatures are 0°C to + 55°C. Typical industrial extended temperature range SD cards operate over -40°C to + 85°C.

⁴ A high-speed 5V logic-level TVS is fitted on +5V_SYS.

⁵ Voltages between 0V and +5.5V are passed through to +5V_SYS on the CubeSat Kit Bus.

⁶ Current derating is a function of temperature, number of pins in use and connector geometry. Users should consult the connector manufacturer's test results for more information. See *Connectors*, below, for manufacturer and part number information as used on the MB.

⁷ Limited by a fast-blo 4A fuse.

⁸ Make only. Not rated for repetitive make and break cycles of dc current. AC rating for switches alone. The RBF Switch sw1 and the Separation Switch sw2 are typically wired by the user directly to the MB to simplify s[5..0] bus connections. User should analyze temperature rise on inner layers as a function of currents passed through RBF and Separation Switches. For high-current applications, wiring directly to the switch (instead of indirectly through the CubeSat Kit Bus connector's s[5..0] pins and the MB PCB) may be preferred. Switches are Cherry P/N E62-10H and E62-10K.

PHYSICAL CHARACTERISTICS

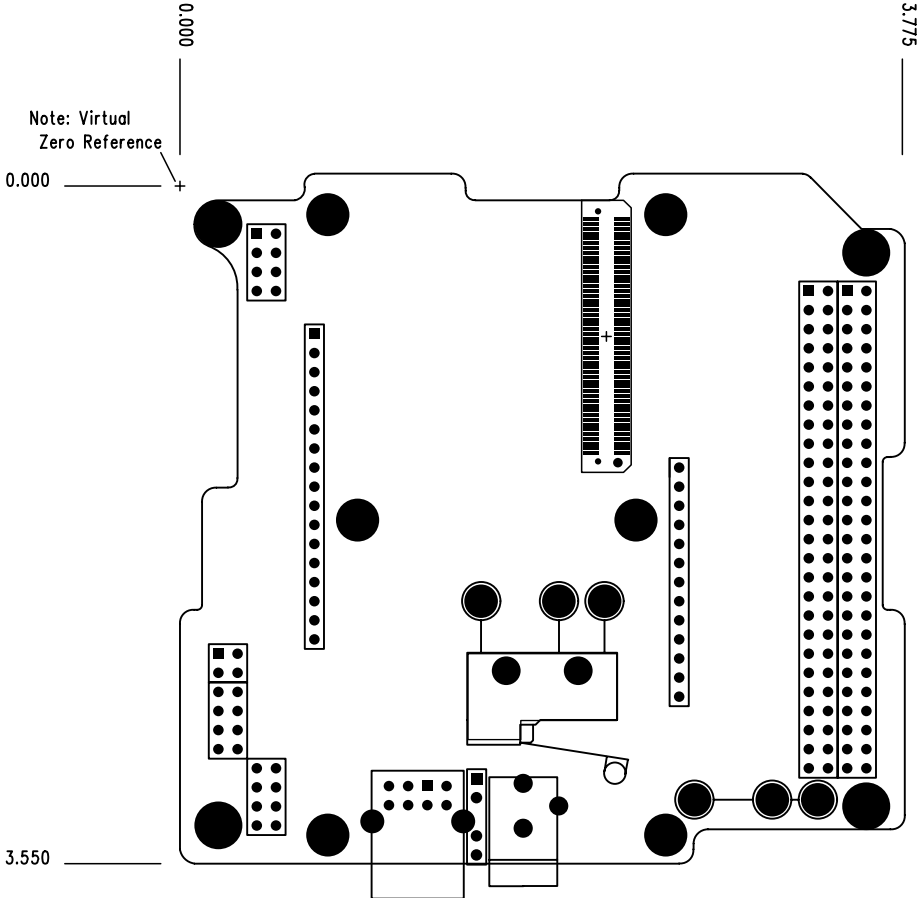
Parameter	Conditions / Notes	Symbol	Min	Typ	Max	Units
Mass ⁹	With standoff and fastener hardware to accept a short PPM (e.g., PPM A1) mounted 9mm above the MB			77		g
	With PPM A1 mounted using abovementioned hardware ¹⁰			88		
	With PPM A1 mounted using abovementioned hardware, 10mm CubeSat Kit Bus Connector extenders and 15.5mm standoffs for MHX transceiver			103		
Height of components above PCB	Without PPM, MHX transceiver or 10mm CubeSat Kit Bus Connector extenders fitted				11.4	mm
	With PPM fitted, and without MHX transceiver or 10mm CubeSat Kit Bus Connector extenders fitted				12.5	
	With MHX transceiver and 10mm CubeSat Kit Bus Connector extender fitted				24.5	
Height of components below PCB					3.5	mm
PCB width	Corner hole pattern matches PC/104			96		mm
PCB length				90		mm
PCB thickness				1.6		mm
Mating external power jack dimensions	Outer diameter				5.5	mm
	Internal diameter		2.1			
CubeSat Kit Bus Connector terminal pitch	Horizontal or vertical distance to nearest terminal			2.54		mm
Switch terminal hole diameter	For C, NO & NC switch terminals ¹¹			2.54		mm
Separation Switch pin engagement travel	Distance from flush with foot when C connects to NC			1.75		mm
Compatible coin cell battery dimensions	Diameter			12		mm
	Height		2.0	2.5	2.5	mm

⁹ With Remove-Before-Flight Switch **sw1** and cover fitted. No SD Card in socket.

¹⁰ PPMs are not included with each MB, and must be purchased separately. Data supplied as an example only.

¹¹ Common, Normally Open and Normally Closed.

SIMPLIFIED MECHANICAL LAYOUT ¹²



¹² Dimensions in inches.

ELECTRICAL CHARACTERISTICS

(T = 25°C, +5V bus = +5V unless otherwise noted)

Parameter	Conditions / Notes	Symbol	Min	Typ	Max	Units
Operating voltage	I/O voltage for all on-board peripherals except RTC and SD Card interface	V_{CC}	1.65		5.5	V
	RTC ¹³		2.7		5.5	V
	SD Card interface ¹⁴	V_{CC_SD}		3.3		V
Maximum external dc voltage	External dc voltage increased until protection circuitry forces disconnect	V_{EXT_TRIP}			5.5	V
Backup battery voltage	Feeds V_{BACKUP} through $R20$ (4.7k Ω).	V_{BT1}		3.0	3.5	V
Voltage drop from external dc power connector to +5V_SYS ¹⁵	$I_{IN} = 5mA$	V_{EXT_DROP}			10	mV
	$I_{IN} = 4A$			400		
Operating current	Typical operation	I_{OP}		500		μA
	All control outputs inactive, PPM asleep	I_{SLEEP}		5	10	μA
RTC crystal frequency	No external capacitors	f_{CLK_RTC}	32.768 \pm 0.001			kHz
USB bus current ¹⁶	Powered over USB	I_{USB_MAX}			500	mA
Overcurrent trip point for SD Card socket	Set by $R61$	I_{TRIP_SD}		170		mA
Overcurrent trip point for MHX transceiver socket	Set by $R23$	I_{TRIP_MHX}		2400		mA
Time to switch between +5V_SYS and +5V_USB power sources	Automatic				1	μs
Data rate through any on-board isolator (U1-U3, U16-U18)	May be reduced (due to parasitic capacitance) by inline resistors (e.g., $R9$ - $R12$, $R59$) where fitted with non-zero values		50			MHz

USB DEVICE CHARACTERISTICS

Parameter	Conditions / Notes	Value
Speed ¹⁷	USB 2.0 compatible	Low Speed (1.5Mbps) Full Speed (12Mbps)
Vendor ID (VID)		0403
Product ID (PID)		F020
Reported options	Unique serial number	/07F0
Reported serial number	Format: PUdddddd	unique to each unit
Required driver	See CubeSat Kit website	provided by Pumpkin

¹³ MB is fitted with M41T81S RTC. v_{CC} of +2.7V or higher is required for proper operation. Operation at lower values of v_{CC} requires the removal of the RTC and/or its substitution with one capable of running at voltages lower than +2.7V.

¹⁴ SD Card standard requires operation at +3.3V. Lower-voltage SD cards can be accommodated by PPM supplying v_{CC_SD} with an appropriate voltage, and by using SD cards specified for lower operating voltages.

¹⁵ Measured at +5V system test point TP9. External +5V passes through a fuse and an active overvoltage protection circuit before reaching system +5V. MB PCB is implemented with 2oz copper to minimize resistance of power traces.

¹⁶ The MB's USB interface is configured at the factory to report a maximum current of 500mA for a bus-powered device to any attached USB host.

¹⁷ Actual throughput is dependent on coding in and configuration of processor, and is often much lower.

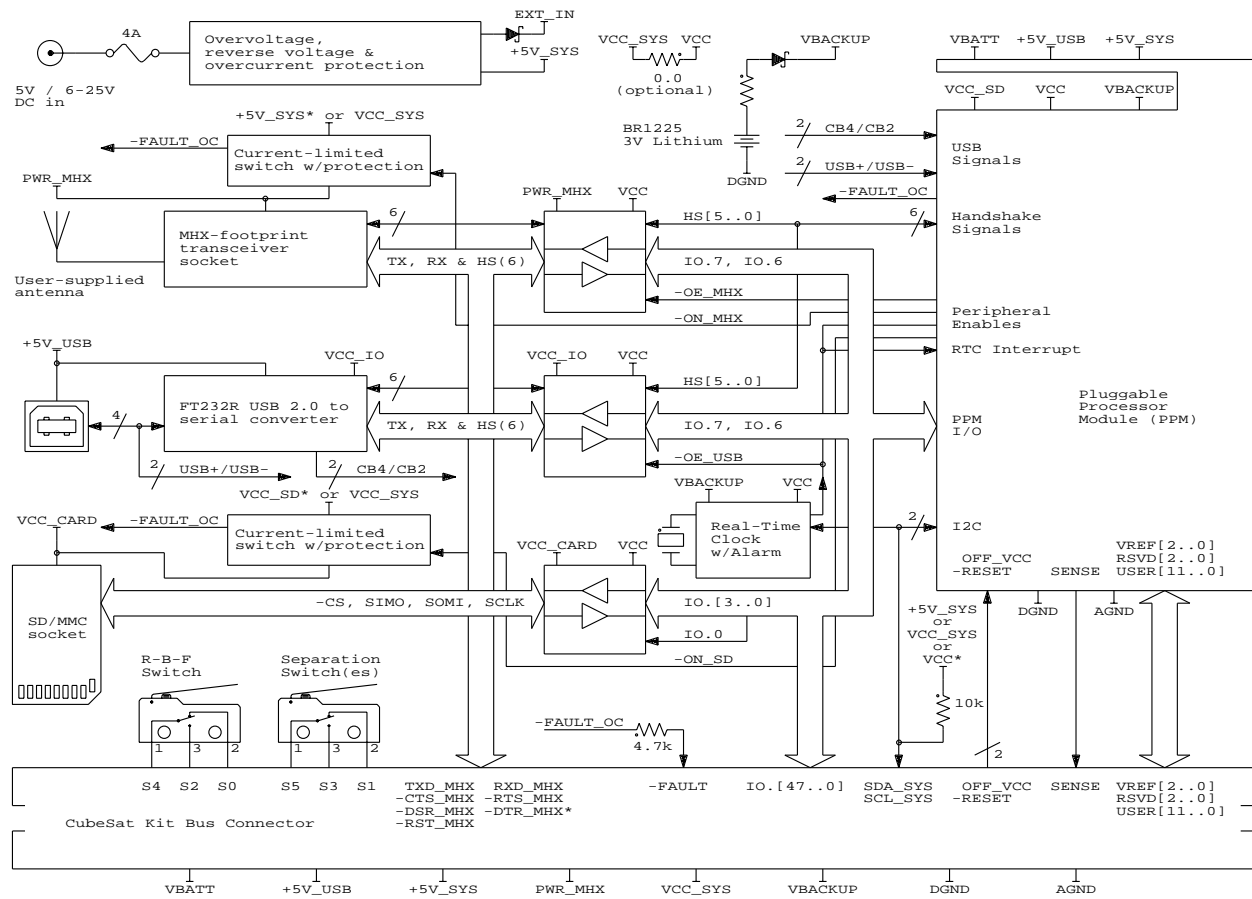
Backup Battery

The MB has a replaceable BR1225 3V Lithium coin cell to serve as a backup battery **BT1** for real-time clocks and other components requiring battery backup of volatile information.

Battery **BT1** is held in place by a coin cell battery holder in one corner of the underside of the MB. The all-metal battery holder is oriented in such a way that once installed onto a CubeSat Kit Base Plate, the battery cannot slide out of its battery holder and is thereby physically restrained along five of six axes. However, since the battery has a conductive outer shell, excessive movement of the battery along its insertion / removal axis could result in a short if it were to contact the Base Plate. Therefore insulating Kapton tape and/or an epoxy or silicone adhesive should be applied to the battery and battery holder.

Alternately, the customer can feed **VBACKUP** on the CubeSat Kit bus via their own backup battery located elsewhere in the system.

BLOCK DIAGRAM



*: Default configuration, selectable via 0 Ohm resistors / jumpers.

PPM PIN DESCRIPTIONS

The PPM connector H10 connects resources on the MB and accessible via the CubeSat Kit Bus connector to a PPM.¹⁸

Those signals that are connected directly to the PPM connector and to the CubeSat Kit Bus connectors are tagged under the CSKB label below.¹⁹ Signals marked with an ‘*’ are associated with dedicated peripherals on the MB. They may also be used with off-board peripherals through the proper use of MB peripheral enables and MB power control.

The *potential* for a pin’s function is described by the I/O field. The *recommended usage* (as a digital or analog input or output, or as a power pin) is listed in the Description field. I/O pins can generally be configured as general-purpose I/O if the recommended usage is not desired.

Inputs are signals *from* the MB to the PPM’s processor U1 or other circuitry. *Outputs* are signals *from* the PPM’s processor U1 or other circuitry *to* the MB.

H10 LSS-150-02-L-DV					
<->	IO.23	1	2	IO.47	<->
<->	IO.22	3	4	IO.46	<->
<->	IO.21	5	6	IO.45	<->
<->	IO.20	7	8	IO.44	<->
<->	IO.19	9	10	IO.43	<->
<->	IO.18	11	12	IO.42	<->
<->	IO.17	13	14	IO.41	<->
<->	IO.16	15	16	IO.40	<->
<->	IO.15	17	18	IO.39	<->
<->	IO.14	19	20	IO.38	<->
<->	IO.13	21	22	IO.37	<->
<->	IO.12	23	24	IO.36	<->
<->	IO.11	25	26	IO.35	<->
<->	IO.10	27	28	IO.34	<->
<->	IO.9	29	30	IO.33	<->
<->	IO.8	31	32	IO.32	<->
<->	IO.7 *	33	34	IO.31	<->
<->	IO.6 *	35	36	IO.30	<->
<->	IO.5	37	38	IO.29	<->
<->	IO.4	39	40	IO.28	<->
<->	IO.3 *	41	42	IO.27	<->
<->	IO.2 *	43	44	IO.26	<->
<->	IO.1 *	45	46	IO.25	<->
<->	IO.0 *	47	48	IO.24	<->
<->	+5V_USB	49	50	+5V_USB	<->
<->	+5V_SYS	51	52	+5V_SYS	<->
<->	VCC_SD	53	54	VCC_SD	<->
<->	VCC	55	56	VCC	<->
<->	DGND	57	58	DGND	<->
<->	AGND	59	60	AGND	<->
<->	VBATT	61	62	VBATT	<->
<->	VBACKUP	63	64	VBACKUP	<->
<->	VREF0	65	66	-FAULT_OC	<->
<->	VREF1	67	68	SENSE	<->
<->	VREF2	69	70	-RESET	<->
<->	RSVD0	71	72	OFF_VCC	<->
<->	RSVD1	73	74	SDA_SYS	<->
<->	RSVD2	75	76	SCL_SYS	<->
<->	USBDF/CB4	77	78	USER0	<->
<->	USBDM/CB2	79	80	USER1	<->
<->	-ON_SD	81	82	USER2	<->
<->	-ON_MHX	83	84	USER3	<->
<->	-OE_MHY	85	86	USER4	<->
<->	-OE_USB/-INT	87	88	USER5	<->
<->	HS0	89	90	USER6	<->
<->	HS1	91	92	USER7	<->
<->	HS2	93	94	USER8	<->
<->	HS3	95	96	USER9	<->
<->	HS4	97	98	USER10	<->
<->	HS5	99	100	USER11	<->

¹⁸ Not included. PPMs are purchased separately from MBs.

¹⁹ The CubeSat Kit’s system peripherals are numbered from 0 onwards (e.g., UART0, SPI0, etc.), and this nomenclature is used when referring to a PPM or CSK bus signal.

PPM PIN DESCRIPTIONS – I/O

Name	Pin	I/O	CSKB	Description
IO.0	H10.47	I/O	•	-cs_sd. Controls SD Card interface. <i>Part of the MB's SD card interface. Normally configured as an output from the PPM processor.</i>
IO.1	H10.45	I/O	•	sDO0. SPI master data out. <i>Part of the MB's SD card interface. Normally configured as an output from the PPM processor.</i>
IO.2	H10.43	I/O	•	sDI0. SPI master data in. <i>Part of the MB's SD card interface. Normally configured as an input to the PPM processor.</i>
IO.3	H10.41	I/O	•	sCK0. SPI clock. <i>Part of the MB's SD card interface. Normally configured as an output from the PPM processor.</i>
IO.4	H10.39	I/O	•	UTX0. Tx0 data out. <i>Often configured as an output from the PPM processor.</i>
IO.5	H10.37	I/O	•	URX0. Rx0 data in. <i>Often configured as an input to the PPM processor.</i>
IO.6	H10.35	I/O	•	UTX1. Tx1 data out to MHX transceiver or USB. <i>Part of the MB's MHX/USB interface. Normally configured as an output from the PPM processor.</i>
IO.7	H10.33	I/O	•	URX1. Rx1 data in from MHX transceiver or USB. <i>Part of the MB's MHX/USB interface. Normally configured as an input to the PPM processor.</i>
IO.8	H10.31	I/O	•	General-purpose I/O.
IO.9	H10.29	I/O	•	General-purpose I/O.
IO.10	H10.27	I/O	•	General-purpose I/O.
IO.11	H10.25	I/O	•	General-purpose I/O.
IO.12	H10.23	I/O	•	General-purpose I/O.
IO.13	H10.21	I/O	•	General-purpose I/O.
IO.14	H10.19	I/O	•	General-purpose I/O.
IO.15	H10.17	I/O	•	General-purpose I/O.
IO.16	H10.15	I/O	•	General-purpose I/O.
IO.17	H10.13	I/O	•	General-purpose I/O.
IO.18	H10.11	I/O	•	General-purpose I/O.
IO.19	H10.9	I/O	•	General-purpose I/O.
IO.20	H10.7	I/O	•	General-purpose I/O.
IO.21	H10.5	I/O	•	General-purpose I/O.
IO.22	H10.3	I/O	•	General-purpose I/O.
IO.23	H10.1	I/O	•	General-purpose I/O.
IO.24	H10.48	I/O	•	General-purpose I/O.
IO.25	H10.46	I/O	•	General-purpose I/O.
IO.26	H10.44	I/O	•	General-purpose I/O.
IO.27	H10.42	I/O	•	General-purpose I/O.
IO.28	H10.40	I/O	•	General-purpose I/O.
IO.29	H10.38	I/O	•	General-purpose I/O.
IO.30	H10.36	I/O	•	General-purpose I/O.
IO.31	H10.34	I/O	•	General-purpose I/O.
IO.32	H10.32	I/O	•	General-purpose I/O.
IO.33	H10.30	I/O	•	General-purpose I/O.
IO.34	H10.28	I/O	•	General-purpose I/O.
IO.35	H10.26	I/O	•	General-purpose I/O.
IO.36	H10.24	I/O	•	General-purpose I/O.
IO.37	H10.22	I/O	•	General-purpose I/O.
IO.38	H10.20	I/O	•	General-purpose I/O.
IO.39	H10.18	I/O	•	General-purpose I/O.
IO.40	H10.16	I/O	•	General-purpose I/O. <i>Normally configured as analog input AN0 to the PPM processor.</i>

CubeSat Kit Motherboard Rev. E

IO.41	H10.14	I/O	•	General-purpose I/O. Normally configured as analog input AN1 to the PPM processor.
IO.42	H10.12	I/O	•	General-purpose I/O. Normally configured as analog input AN2 to the PPM processor.
IO.43	H10.10	I/O	•	General-purpose I/O. Normally configured as analog input AN3 to the PPM processor.
IO.44	H10.8	I/O	•	General-purpose I/O. Normally configured as analog input AN4 to the PPM processor.
IO.45	H10.6	I/O	•	General-purpose I/O. Normally configured as analog input AN5 to the PPM processor.
IO.46	H10.4	I/O	•	General-purpose I/O. Normally configured as analog input AN6 to the PPM processor.
IO.47	H10.2	I/O	•	General-purpose I/O. Normally configured as analog input AN7 to the PPM processor.

PPM PIN DESCRIPTIONS – Power

Name	Pin	I/O	CSKB	Description
+5V_USB	H10.49 H10.50	–	•	+5V USB power. From USB host. Powers on-board USB-to-serial converter and PPM.
+5V_SYS	H10.51 H10.52	–	•	+5V system power. From EPS or external +5V connector. Powers some on-board peripherals and PPM.
VCC_SD	H10.53 H10.54	–		SD Card power. Nominally +3.3V. Sourced from PPM or from VCC_SYS via R58 .
VCC	H10.55 H10.56	–		MB power and I/O level. From +1.65V to +5.5V. Sourced from PPM or from VCC_SYS via R68 .
DGND	H10.57 H10.58	–	•	Digital ground.
AGND	H10.59 H10.60	–	•	Analog ground.
VBATT	H10.61 H10.62	–	•	Battery voltage. EPS-dependent. Typically +7V to +10V.
VBACKUP	H10.63 H10.64	–	•	Battery backup voltage (e.g. for RTC). From MB's 3V Lithium battery BT1 .

PPM PIN DESCRIPTIONS – Analog References

Name	Pin	I/O	CSKB	Description
VREF0	H10.65	-	•	Intended for analog voltage references.
VREF1	H10.67	-	•	Intended for analog voltage references.
VREF2	H10.69	-	•	Intended for analog voltage references.

PPM PIN DESCRIPTIONS – Reserved

Name	Pin	I/O	CSKB	Description
RSVD0	H10.71	–	•	Not connected. Reserved for future use.
RSVD1	H10.73	–	•	Not connected. Reserved for future use.
RSVD2	H10.75	–	•	Not connected. Reserved for future use.

PPM PIN DESCRIPTIONS – MB-Specific

Name	Pin	I/O	CSKB	Description
CB4	H10.77	I		Configurable CBUS4 signal from FT232R USB chip U7 .
USBDP				When U7 is not fitted and R56 is fitted, provides the '+' half of the USB differential signal pair from J3 to the PPM processor.

CubeSat Kit Motherboard Rev. E

CB2				Configurable CBUS2 signal from FT232R USB chip $\Upsilon 7$.
USBDM	H10.79	I		When $\Upsilon 7$ is not fitted and $\Re 57$ is fitted, provides the '-' half of the USB differential signal pair from $\Upsilon 3$ to the PPM processor.
-ON_SD	H10.81	O		Control signal for SD Card power. Active LOW, pulled high on MB. When active, enables VCC_CARD on MB, thereby powering SC Card socket and SD Card level translators / isolators $\Upsilon 17$ & $\Upsilon 18$. <i>Normally configured as a digital output from the PPM processor.</i>
-ON_MHX	H10.83	O		Control signal for MHX socket power. Active LOW, pulled high on MB. When active, enables PWR_MHX on MB, thereby powering MHX socket and MHX level translators / isolators $\Upsilon 2$ & $\Upsilon 3$. <i>Normally configured as a digital output from the PPM processor.</i>
-OE_MHX	H10.85	O		Control signal for MHX interface. Active LOW, pulled high on MB. When active, enables signals to pass through MHX level translators / isolators $\Upsilon 2$ & $\Upsilon 3$. <i>Normally configured as a digital output from the PPM processor.</i>
-OE_USB	H10.87	O		Control signal for USB interface. Active LOW, pulled high on MB. When active, enables signals to pass through USB level translators / isolators $\Upsilon 1$ & $\Upsilon 16$. <i>Normally configured as a digital output from the PPM processor.</i>
-INT		I		Output from RTC's -IRQ open-collector output. When properly configured, can be used to interrupt Processor via RTC. <i>Normally configured as a digital input to the PPM processor.</i>
HS0	H10.89	I		Handshake signal. -RTS (USB) or -CTS (MHX). <i>Normally an input to the PPM processor. Requires that $\Re 10$ be fitted on the MB.</i>
HS1	H10.91	I		Handshake signal. -DTR (USB) or -DSR (MHX). <i>Normally an input to the PPM processor. Requires that $\Re 11$ be fitted on the MB.</i>
HS2	H10.93	I		Handshake signal. -PWE (USB) or -DCD (MHX). <i>Normally an input to the PPM processor. Requires that $\Re 12$ be fitted on the MB.</i>
HS3	H10.95	O		Handshake signal. -CTS (USB) or -RTS (MHX). <i>Normally an output from the PPM processor. Requires that $\Re 75$ be fitted on the MB.</i>
HS4	H10.97	O		Handshake signal. -RI (USB) or -DTR (MHX). <i>Normally an output from the PPM processor. Requires that $\Re 76$ be fitted on the MB.</i>
HS5	H10.99	O		Handshake (reset) signal. -RST (USB) or -RST (MHX). <i>Normally an output from the PPM processor. Requires that $\Re 77$ be fitted on the MB.</i>

PPM PIN DESCRIPTIONS – Control & Status

Name	Pin	I/O	CSKB	Description
-FAULT_OC	H10.66	O		Open-collector output from PPM's latchup prevention overcurrent switch. Active LOW. Wire-ORed to -FAULT_OC on MB.
SENSE	H10.68	O	•	Can be used to measure PPM's current consumption. The current used by the PPM from a single source is (source - SENSE) / 75m Ω . Depends on PPM implementation.
-RESET	H10.70	I	•	Reset signal to PPM's reset supervisor. Active LOW.
OFF_VCC	H10.72	I	•	Control signal to PPM's power circuit(s). Active HIGH.

PPM PIN DESCRIPTIONS – I2C Bus

Name	Pin	I/O	CSKB	Description
SDA_SYS	H10.74	I/O	•	I2C data. Normally configured as an I2C data input/output to/from the processor.
SCL_SYS	H10.76	O	•	I2C clock. Normally configured as an I2C clock output from the PPM processor.

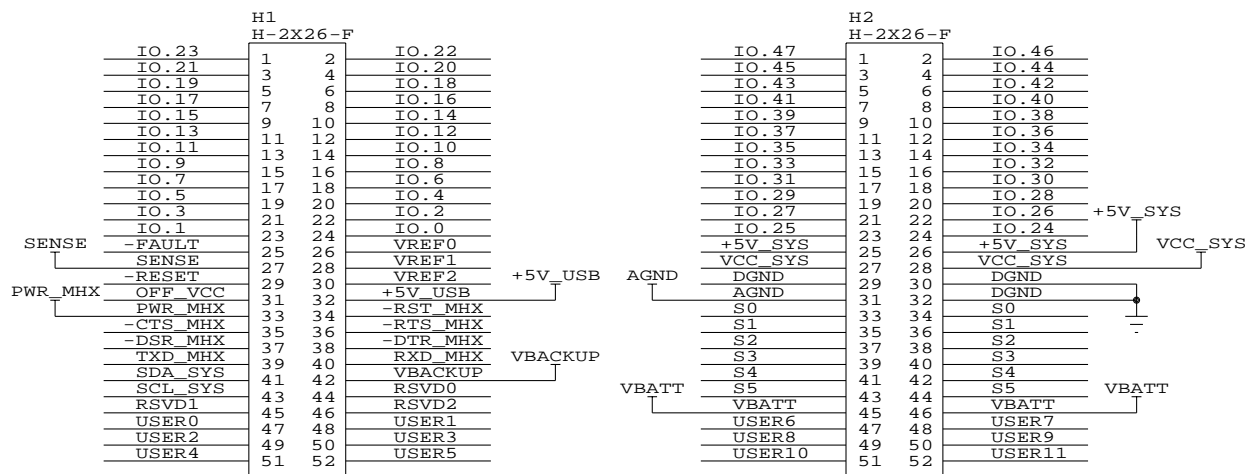
PPM PIN DESCRIPTIONS – User-defined

Name	Pin	I/O	CSKB	Description
USER0	H10.78	I/O	•	User-defined.
USER1	H10.80	I/O	•	User-defined.
USER2	H10.82	I/O	•	User-defined.
USER3	H10.84	I/O	•	User-defined.
USER4	H10.86	I/O	•	User-defined.
USER5	H10.88	I/O	•	User-defined.
USER6	H10.90	I/O	•	User-defined.
USER7	H10.92	I/O	•	User-defined.
USER8	H10.94	I/O	•	User-defined.
USER9	H10.96	I/O	•	User-defined.
USER10	H10.98	I/O	•	User-defined.
USER11	H10.100	I/O	•	User-defined.

CubeSat Kit Bus PIN DESCRIPTIONS ²⁰

Those signals that are connected directly between the CubeSat Kit Bus connectors H1 and H2 and the PPM connector H10 are tagged under the PPM label below.

CubeSat Kit Bus Connectors



CubeSat Kit Bus PIN DESCRIPTIONS – I/O

Name	Pin	I/O	PPM	Description
IO.0	H1.24	I/O	•	-cs_sd. Controls SD Card interface. Part of the MB's SD card interface. Normally configured as an output from the PPM processor.
IO.1	H1.23	I/O	•	sdo0. SPI master data out. Part of the MB's SD card interface. Normally configured as an output from the PPM processor.
IO.2	H1.22	I/O	•	sdio0. SPI master data in. Part of the MB's SD card interface. Normally configured as an input to the PPM processor.
IO.3	H1.21	I/O	•	sck0. SPI clock. Part of the MB's SD card interface. Normally configured as an output from the PPM processor.
IO.4	H1.20	I/O	•	utx0. Tx0 data out. Often configured as an output from the PPM processor.
IO.5	H1.19	I/O	•	urx0. Rx0 data in. Often configured as an input to the PPM processor.
IO.6	H1.18	I/O	•	utx1. Tx1 data out to MHX transceiver or USB. Part of the MB's MHX/USB interface. Normally configured as an output from the PPM processor.
IO.7	H1.17	I/O	•	urx1. Rx1 data in from MHX transceiver or USB. Part of the MB's MHX/USB interface. Normally configured as an input to the PPM processor.
IO.8	H1.16	I/O	•	General-purpose I/O.
IO.9	H1.15	I/O	•	General-purpose I/O.
IO.10	H1.14	I/O	•	General-purpose I/O.
IO.11	H1.13	I/O	•	General-purpose I/O.
IO.12	H1.12	I/O	•	General-purpose I/O.
IO.13	H1.11	I/O	•	General-purpose I/O.
IO.14	H1.10	I/O	•	General-purpose I/O.
IO.15	H1.9	I/O	•	General-purpose I/O.
IO.16	H1.8	I/O	•	General-purpose I/O.

²⁰ The fact that the CubeSat Kit Bus has 104 pins (like PC/104) is purely coincidental – the original CubeSat Kit Bus used in the Rev A and Rev B FM430 had only 80 pins, and was expanded in Rev C to 104 pins.

CubeSat Kit Motherboard Rev. E

IO.17	H1.7	I/O	•	General-purpose I/O.
IO.18	H1.6	I/O	•	General-purpose I/O.
IO.19	H1.5	I/O	•	General-purpose I/O.
IO.20	H1.4	I/O	•	General-purpose I/O.
IO.21	H1.3	I/O	•	General-purpose I/O.
IO.22	H1.2	I/O	•	General-purpose I/O.
IO.23	H1.1	I/O	•	General-purpose I/O.
IO.24	H2.24	I/O	•	General-purpose I/O.
IO.25	H2.23	I/O	•	General-purpose I/O.
IO.26	H2.22	I/O	•	General-purpose I/O.
IO.27	H2.21	I/O	•	General-purpose I/O.
IO.28	H2.20	I/O	•	General-purpose I/O.
IO.29	H2.19	I/O	•	General-purpose I/O.
IO.30	H2.18	I/O	•	General-purpose I/O.
IO.31	H2.17	I/O	•	General-purpose I/O.
IO.32	H2.16	I/O	•	General-purpose I/O.
IO.33	H2.15	I/O	•	General-purpose I/O.
IO.34	H2.14	I/O	•	General-purpose I/O.
IO.35	H2.13	I/O	•	General-purpose I/O.
IO.36	H2.12	I/O	•	General-purpose I/O.
IO.37	H2.11	I/O	•	General-purpose I/O.
IO.38	H2.10	I/O	•	General-purpose I/O.
IO.39	H2.9	I/O	•	General-purpose I/O.
IO.40	H2.8	I/O	•	General-purpose I/O. Normally configured as analog input <i>AN0</i> to the PPM processor.
IO.41	H2.7	I/O	•	General-purpose I/O. Normally configured as analog input <i>AN1</i> to the PPM processor.
IO.42	H2.6	I/O	•	General-purpose I/O. Normally configured as analog input <i>AN2</i> to the PPM processor.
IO.43	H2.5	I/O	•	General-purpose I/O. Normally configured as analog input <i>AN3</i> to the PPM processor.
IO.44	H2.4	I/O	•	General-purpose I/O. Normally configured as analog input <i>AN4</i> to the PPM processor.
IO.45	H2.3	I/O	•	General-purpose I/O. Normally configured as analog input <i>AN5</i> to the PPM processor.
IO.46	H2.2	I/O	•	General-purpose I/O. Normally configured as analog input <i>AN6</i> to the PPM processor.
IO.47	H2.1	I/O	•	General-purpose I/O. Normally configured as analog input <i>AN7</i> to the PPM processor.

CubeSat Kit Bus PIN DESCRIPTIONS – Analog References

Name	Pin	I/O	PPM	Description
VREF0	H1.26	-	•	Intended for analog voltage references.
VREF1	H1.28	-	•	Intended for analog voltage references.
VREF2	H1.30	-	•	Intended for analog voltage references.

CubeSat Kit Bus PIN DESCRIPTIONS – Reserved

Name	Pin	I/O	PPM	Description
RSVD0	H1.44	-	•	Not connected. Reserved for future use.
RSVD1	H1.45	-	•	Not connected. Reserved for future use.
RSVD2	H1.46	-	•	Not connected. Reserved for future use.

CubeSat Kit Bus PIN DESCRIPTIONS – I2C Bus

Name	Pin	I/O	PPM	Description
SDA_SYS	H1.41	I/O	•	I2C data. Normally configured as an I2C data input/output to/from the processor.
SCL_SYS	H1.43	O	•	I2C clock. Normally configured as an I2C clock output from the PPM processor.

CubeSat Kit Bus PIN DESCRIPTIONS – Control & Status

Name	Pin	I/O	PPM	Description
-FAULT	H1.25	O	•	Open-collector output. Active LOW. Active when an overcurrent fault condition is detected by any of the MB's or PPM's latchup prevention overcurrent switches. With series 4.7kΩ resistor. Normally pulled up externally to vcc_sys or +5V_SYS.
SENSE	H1.27	O	•	Can be used to measure PPM's current consumption. The current used by the PPM from a single source is (source – SENSE) / 75mΩ. Depends on PPM implementation.
-RESET	H1.29	I	•	Reset signal to PPM's reset supervisor. Active LOW.
OFF_VCC	H1.31	I	•	Control signal to PPM's power circuit(s). Active HIGH.

CubeSat Kit Bus PIN DESCRIPTIONS – RBF and Launch Switches

Name	Pin	I/O	PPM	Description
s0	H2.33 H2.34	–		Switch terminal. Normally connected to RBF Switch normally closed (NC) terminal.
s1	H2.35 H2.36	–		Switch terminal. Normally connected to Separation Switch normally closed (NC) terminal.
s2	H2.37 H2.38	–		Switch terminal. Normally connected to RBF Switch normally open (NO) terminal.
s3	H2.39 H2.40	–		Switch terminal. Normally connected to Separation Switch normally open (NO) terminal.
s4	H2.41 H2.42	–		Switch terminal. Normally connected to RBF Switch common (C) terminal.
s5	H2.43 H2.44	–		Switch terminal. Normally connected to Separation Switch common (C) terminal.

CubeSat Kit Bus PIN DESCRIPTIONS – Power

Name	Pin	I/O	PPM	Description
VBATT	H2.45 H2.46	–	•	Battery voltage. EPS-dependent. Typically +7V to +10V.
+5V_USB	H1.32	–	•	+5V USB power. From USB host.
+5V_SYS	H2.25 H2.26	–	•	+5V system power. From EPS or external +5V connector.
PWR_MHX	H1.33	–	•	MHX transceiver power. Derived from +5V_SYS or vcc_sys system power. Under PPM control. The current used by the MHX transceiver is (+5V_SYS – PWR_MHX) / 75mΩ or (vcc_sys – PWR_MHX) / 75mΩ, depending on the source of MHX power. Can be overridden by feeding +5V_SYS or vcc_sys directly into PWR_MHX.
VBACKUP	H1.42	–	•	Battery backup voltage (e.g. for RTC). From MB's 3V Lithium battery BT1.
VCC_SYS	H2.27 H2.28	–	•	VCC system power. Normally generated by EPS. Not normally connected to MB's local vcc.
AGND	H2.31	–	•	Analog ground.

CubeSat Kit Motherboard Rev. E

DGND	H2.29 H2.30 H2.32	–	•	Digital ground.
------	-------------------------	---	---	-----------------

CubeSat Kit Bus PIN DESCRIPTIONS – Transceiver Interface

Name	Pin	I/O	PPM	Description
-RST_MHX	H1.34	I		Reset input to transceiver. Active LOW.
-CTS_MHX	H1.35	O		Clear-to-send output from transceiver. Active LOW.
-RTS_MHX	H1.36	I		Request-To-Send input to transceiver. Active LOW.
-DSR_MHX	H1.37	O		Data Set Ready output from transceiver. Active LOW.
-DXX_MHX	H1.38	I/O		-DTR_MHX when R91 is fitted and R92 is not fitted: ²¹ Data Transmit Ready input to transceiver. Active LOW. -DCD_MHX when R92 is fitted and R91 is not fitted: Data Carrier Detect output from transceiver. Active LOW.
TXD_MHX	H1.39	I		Transmit data input to transceiver. Idles HIGH.
RXD_MHX	H1.40	O		Receive data output from transceiver. Idles HIGH.

CubeSat Kit Bus PIN DESCRIPTIONS – User-defined

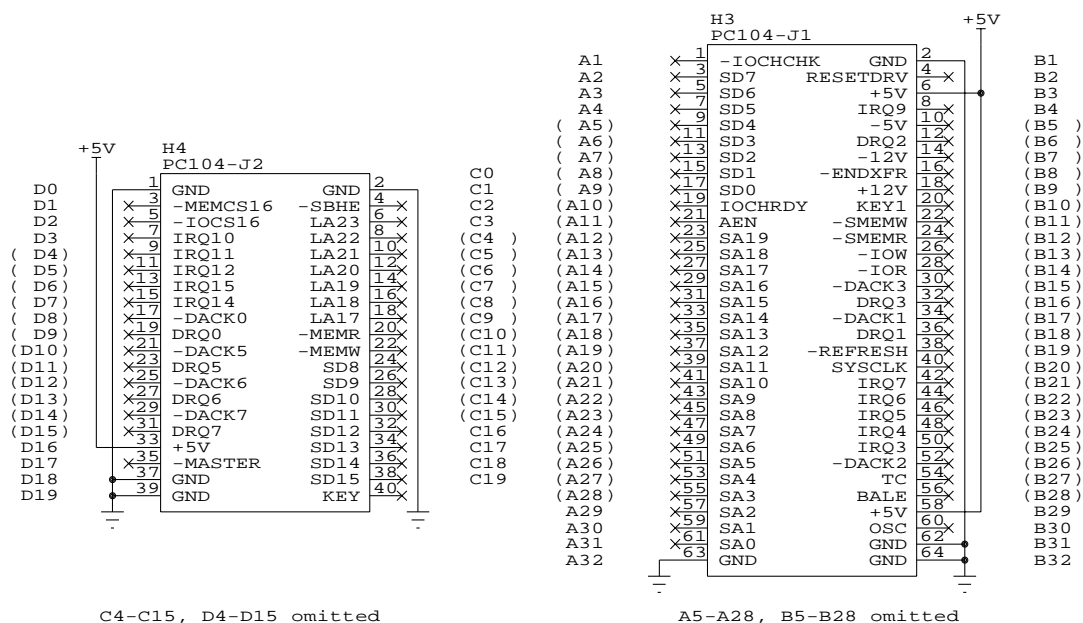
Name	Pin	I/O	PPM	Description
USER0	H1.47	I/O	•	User-defined.
USER1	H1.48	I/O	•	User-defined.
USER2	H1.49	I/O	•	User-defined.
USER3	H1.50	I/O	•	User-defined.
USER4	H1.51	I/O	•	User-defined.
USER5	H1.52	I/O	•	User-defined.
USER6	H2.47	I/O	•	User-defined.
USER7	H2.48	I/O	•	User-defined.
USER8	H2.49	I/O	•	User-defined.
USER9	H2.50	I/O	•	User-defined.
USER10	H2.51	I/O	•	User-defined.
USER11	H2.52	I/O	•	User-defined.

²¹ Default.

PC/104 System Bus PIN DESCRIPTIONS

PC/104 System Bus

Only +5V and GND are implemented.



The MB implements a subset of the PC/104 specification in the form of two connectors that provide only +5V and GND for PC/104 modules. Only a total of 32 pins are implemented, 16 on H3 and 16 on H4. By adding up to four 8-pin connectors to the MB, PC/104 modules can be plugged directly into the MB to obtain +5V power and GND. No other connections between the PC/104 bus and the CubeSat Kit Bus are provided.

CONNECTORS

Item	Description	Source	Part Number	Application
1	52-pin non-stackthrough	Samtec ²²	ESQ-126-37-G-D	CubeSat Kit Bus connector for non-stackthrough applications (e.g., MB option /00).
2	52-pin stackthrough	Samtec	ESQ-126-39-G-D	CubeSat Kit Bus connector for stackthrough applications (e.g., MB option /10).
3	52-pin	Samtec	SSQ-126-22-G-D	CubeSat Kit Bus connector 10mm extension.
4	8-pin non-stackthrough	Samtec	ESQ-104-37-G-D	CubeSat Kit PC/104 power connector for non-stackthrough applications.
5	8-pin stackthrough	Samtec	ESQ-104-39-G-D	CubeSat Kit PC/104 power connector for stackthrough applications.
6	8-pin	Samtec	SSQ-104-22-G-D	CubeSat Kit PC/104 power connector 10mm extension.
7	100-pin, hermaphroditic	Samtec	LSS-150-02-L-DV	PPM connector (standard, +6mm)

Items 1-6: Non-stackthrough connectors are normally fitted only to an MB and form an endpoint to the CubeSat Kit Bus connector stack. Stackthrough connectors are normally fitted to all other modules (e.g. EPS modules). The normal stacking height is 15mm between modules. The 10mm extension can be used to increase this distance, e.g. to 24/25mm. 8-pin connectors are used to provide +5V and GND (only) to PC/104 modules. A 15mm extension can be accomplished via a stackthrough connector.

²² <http://www.samtec.com/>, 1-800-SAMTEC9.

This connector information is provided for reference only.

REPLACEMENT FUSES

The overcurrent fuse **F1** protects only against overcurrent conditions drawing too much current from the external +5V dc supply. It is soldered in place. The replacement fuse is LittleFuse 0451004.MRL, 4A, 125V, fast-acting Nano SMF Fuse, and is available e.g. through [Digi-Key®](#). Should replacement be required, it should be replaced by the factory or by a qualified electronics technician.

BACKWARDS COMPATIBILITY

MB Rev E is fully backwards-compatible with MB Rev D.

MHX WIRELESS TRANSCEIVER COMPATIBILITY

The MB is designed to interface directly to Microhard Corporation's²³ line of MHX OEM wireless transceiver modules, and any other footprint-compatible transceivers. The mechanical interface is through four M2.5 F/F threaded standoffs at a prescribed height of 15.5mm above the MB PCB. The electrical interface is through the MB's **H5** connectors, which connect the MHX module to the MB via the MHX pins 1-17 and 21-33 only.²⁴ Because of minor physical differences between the earlier (e.g., MHX-2400) and later (e.g., MHX-2420) Microhard transceivers, the MB as supplied from the factory supports only later transceivers. The MB uses a high-side switch for **PWR_MHX** capable of supplying currents to the transceiver in excess of the 1.2A. Either +5V_SYS or VCC_SYS can be the source of **MHX_PWR**, based on the fitment of **R87** or **R88**.

MULTIPLE / REDUNDANT SEPARATION SWITCHES

The Rev E MB PCB has a cutout in the vicinity of **H3** to support a second, independent Separation Switch **sw4**. When a second Separation Switch is used, the end-user must facilitate connecting its terminals to those of the primary Separation Switch (**sw2**), if used in such a manner.

EXTERNAL DC POWER INPUT

The MB accepts external DC power and implements overvoltage, reverse voltage and overcurrent protection at DC power jack **J1**. **J1** can be used in two distinct and different ways: for 5Vdc power in, or for 6-25Vdc power in. When the voltage at **J1** is under +5.5Vdc, power is passed to +5V_SYS and to connector **J19**. For voltages above +5.5Vdc, an active circuit isolates **J1** from +5V_SYS and power is passed only to connector **J19**. In all cases, up to 4A can pass through **J1**. *A conforming 5.5mm/2.1mm plug must be used at all times to ensure the proper operation of the MB's overvoltage protection circuitry on **J1**.*

For implementations with an architectural power dependency on +5V_SYS, an external +5Vdc power supply can provide up to 20W of power to the MB via **J1**. For implementations dependent on a different bus power voltage, **J1**'s dual-input-range feature can be used. For example, in an architecture with a four-cell Li-Ion battery chemistry,²⁵ 14.8V can be applied at **J1** and can be routed to an endpoint within the system via a user harness from the MB connector **J19**.²⁶ In this configuration, the MB can source up to 100W through **J1**. See the MB schematics for more information.²⁷

²³ <http://www.microhardcorp.com/>.

²⁴ These pins were originally No Connect (NC) on the MHX-2400 and similar modules. Later versions use these pins. The functionality of most of these additional pins is not required to operate these newer MHX modules (e.g., MHX-2420), and hence they are backwards-compatible with the earlier MHX modules.

²⁵ Li-Ion nominal cell voltage is 3.7V, peak is typically 4.2V. The nominal battery voltage for four cells in series – a 4S1P configuration – is therefore 14.8V.

²⁶ A 1x5 0.100" pitch square-pin male header with the center pin removed.

²⁷ A high-power Schottky diode **D15** is present in-line between **J1** and **J19**. Sophisticated users wishing to implement advanced functions – e.g. using **J1** as a means to charge batteries within a CubeSat – may choose to bypass **D15** so as to be able to sense battery voltage. Contact the factory for more details.

TRADEMARKS

The following are Pumpkin trademarks. All other names are the property of their respective owners.

- Pumpkin™ and the Pumpkin logo
- Salvo™ and the Salvo logo
- CubeSat Kit™ and the CubeSat Kit logo

DISCLAIMER

PUMPKIN RESERVES THE RIGHT TO MAKE ANY CHANGES WITHOUT FURTHER NOTICE TO ANY PRODUCTS HEREIN TO CORRECT ERRORS AND IMPROVE RELIABILITY, FUNCTION, APPEARANCE OR DESIGN. PUMPKIN DOES NOT ASSUME ANY LIABILITY ARISING OUT OF THE APPLICATION OR USE OF ANY PRODUCT OR CIRCUIT DESCRIBED HEREIN; NEITHER DOES IT CONVEY ANY LICENSE UNDER ITS PATENT RIGHTS, NOR THE RIGHTS OF OTHERS.



744 Naples Street
San Francisco, CA 94112 USA
tel: (415) 584-6360
fax: (415) 585-7948

web: <http://www.pumpkininc.com/>
email: info@pumpkininc.com

web: <http://www.cubesatkit.com/>
email: info@cubesatkit.com