



# MM200

## High precision magnetometer

The MM200 is a high precision magnetometer suited for autonomous satellite attitude control or scientific measurements. Due to its low noise, the magnetometer delivers high sensitivity and high resolution. MM200 features a tiny 4cm<sup>2</sup> footprint, taking up minimal space in your satellite.

All analog signal processing happens on the instrument. The user interface is presented over a packet-based I2C compatible interface, allowing quick and efficient integration into a satellite.

Customers can choose between two housings:

- Flanged housing (shown in the picture)
- Minimal housing



## HIGHLIGHTS

- Low noise and high sensitivity  
 $1.18\text{nT}/\sqrt{\text{Hz}}$
- Covers broad range of magnetic field
- Highly radiation tolerant
- Configurable sampling rate,  
500 Hz maximum
- Miniaturised for smallest volume
- Lightweight
- Easy integration with ADCS solutions
- I2C compatible interface
- ITAR free

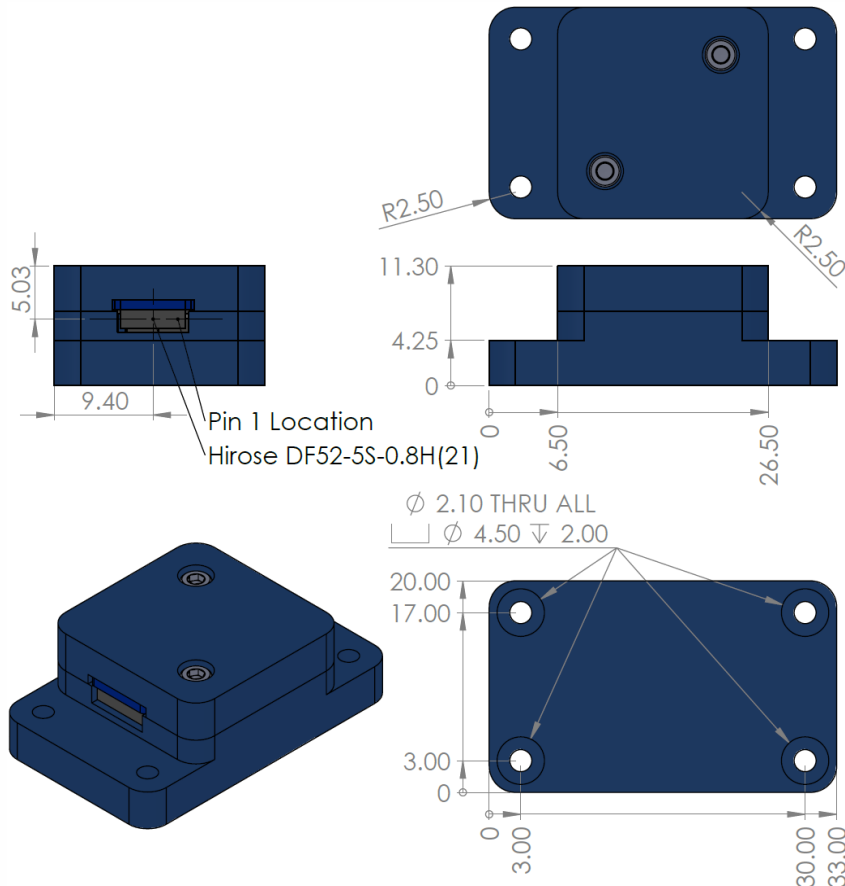




**SPECIFICATIONS**

<b>Performance</b>				
Sampling rate		Max. 500		Hz (configurable)
Radiation tolerance		Up to 30		krad( <sup>60</sup> Co) <sub>27</sub>
Range		±800		μT
Total noise spectral density		1.18		nT/√Hz
<b>Dimensions &amp; Mass</b>				
Flanged		33 x 20 x 11.3		mm
Minimal		20 x 20 x 11.3		mm
Mass (Flanged/Minimal)		12/10 ±1		g
<b>Electrical specifications</b>				
	Min.	Typ.	Max.	
Power consumption	0.5	-	10	mA

**MECHANICAL CHARACTERISTICS (IN MM)**



For pricing, delivery, configuration and ordering information please contact us at [sales@hyperion.space](mailto:sales@hyperion.space) or call us at +31(0)15-5160905

